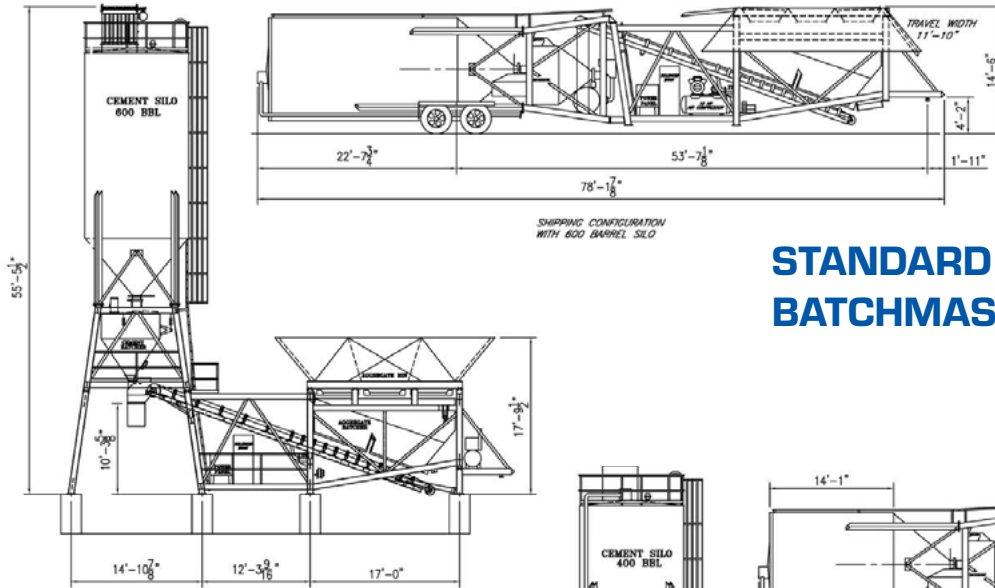
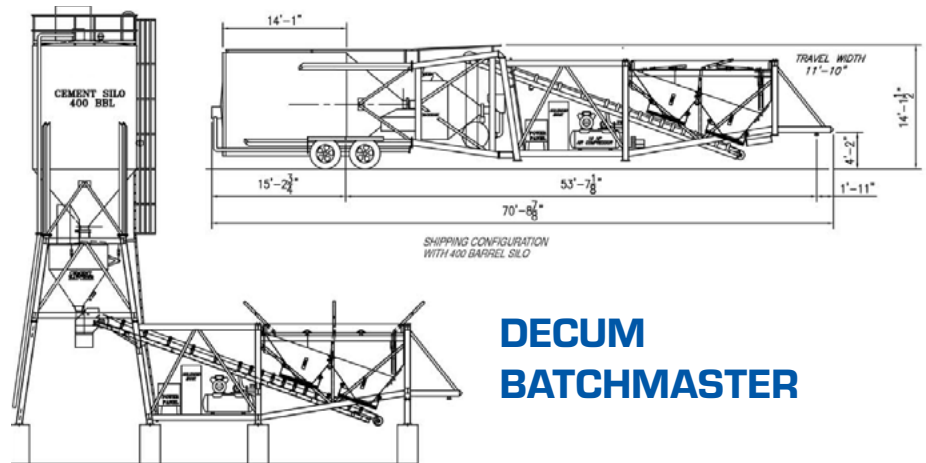


CON-E-CO

Batchmaster Series



STANDARD BATCHMASTER



DECUM BATCHMASTER

PRODUCTION CAPACITY:

Theoretical capacity — 150 to 200 cubic yards per hour
(110 to 165 cubic meters per hour)

BATCHER CAPACITY:

Aggregate — Oversized, 12 cubic yards (9.2 cubic meters)

Cement — Oversized, 12 cubic yards (9.2 cubic meters)

Scales — Direct load cells and digital readouts

AGGREGATE DISCHARGE CONVEYOR:

30" wide (0.76 meters) with 20 horsepower drive Optional:

36" wide (0.44 meters) with 25 horsepower drive.

CEMENT AERATION:

5 horsepower, high volume, low pressure blower.

HIGH PRESSURE AIR COMPRESSOR:

10 horsepower with 120 gallon (0.45 cubic meter) receiver

Optional: 15 horsepower

ELECTRICAL:

200 amp, 3 phase with 120 VAC transformer for control voltage. All motors are TEFC. All motor circuit wiring protected by individual circuit breakers. Electrical components housed in NEMA 12 dust-tight steel enclosure. Wiring in conduit.

Minimum service size: 100 KVA

WATER METER:

3" Badger Turbo

STORAGE BIN CAPACITIES* Gross Volume:

Aggregate Bin — 48 to 200 cubic yards.

Cement — 565 BBL (2,260 cubic feet) to

1,065 BBL (4,260 cubic feet)

Optional: Two-compartment

*Based on maximum bin designs.

