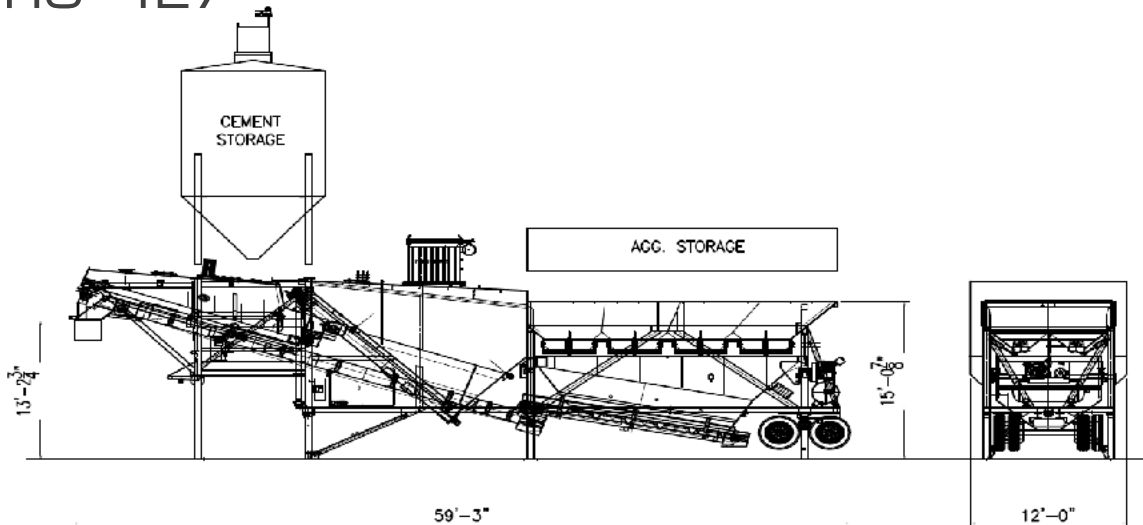


# CON-E-CO

## LO-PRO® 427



### PRODUCTION CAPACITY:

Theoretical Cycle Time - 2.5 to 3 minutes

### BATCHER CAPACITY:

Aggregate - 1 to 12 yds<sup>3</sup> (1 to 9.2 m<sup>3</sup>)

Cement - 1 to 12 yds<sup>3</sup> (1 to 9.2 m<sup>3</sup>)

Scales - Direct Load Cells

### AGGREGATE BATCHER CONVEYOR:

30" wide (762 mm), 10 horsepower drive.

Optional 15 horsepower drive

### AGGREGATE DISCHARGE CONVEYOR:

30" wide (762 mm), 10 horsepower drive.

Optional 36" (914 mm), 15 horsepower

### CEMENT BATCHER RECIRCULATING SCREW:

14" diameter (360 mm), 15 horsepower

Optional 18" diameter (460 mm), 20 horsepower

### CEMENT FEEDER SCREWS:

Two 9" diameter (230 mm), 15 horsepower drive.

Optional 12" diameter (300 mm), 20 horsepower

### CEMENT AERATION:

5 and 7 horsepower, high volume, low pressure blowers.

### HIGH PRESSURE AIR COMPRESSOR:

10 horsepower, 120 gallon (0.45 m<sup>3</sup>).

Optional 15, 20, 25 or 30 horsepower, 120 gallon (0.45 m<sup>3</sup>).

### ELECTRICAL:

460 volt, 3-phase with 120 VAC transformer for control voltage. All motors are TEFC. All motor circuit wiring protected by individual circuit breakers. Electrical components housed in NEMA steel enclosures. Wiring in conduit.

### BATCH CONTROL SYSTEM:

Semi-automatic cut-off of cement by presets on digital readouts. Push-button for electric over air on gates. Optional fully automatic computerized batch control system.

### WATER METER:

3" diameter (77 mm) with up to 500 gallons (1,740 liters) per minute

### TRANSPORTATION SYSTEM:

Rear-mounted 36,000 lb. (16,330 kg) capacity tandem axle with eight (8) 295/75R 22.5 tires, wheels, air brakes heavy duty spring suspension, tail and brake lights, and fifth wheel rub plant with king pin.

### STORAGE BIN CAPACITIES:

AGGREGATE	HEAPED VOLUME
	50 to 90 yd <sup>3</sup> (38 to 68 m <sup>3</sup> )
CEMENT I	GROSS VOLUME
	1,708 ft <sup>3</sup> (47.5 m <sup>3</sup> )
CEMENT II	GROSS VOLUME
	1,600 to 3,060 ft <sup>3</sup> (45 to 85 m <sup>3</sup> )

### DIMENSIONS:

Towing length	60'-0" (18,000 mm)
Towing height	14'-4" (4,369 mm)
Towing width	11'-6" (3,450 mm)
Empty weight, total	60,000 lbs. (22,395 kg)

### SHIPPING DIMENSIONS:

Length	70'-0" (21,336 mm)
Height	14'-4" (4,369 mm)
Width	1'-6" (3,450 mm)
Shipping Volume	11,536 ft <sup>3</sup> (326 m <sup>3</sup> )