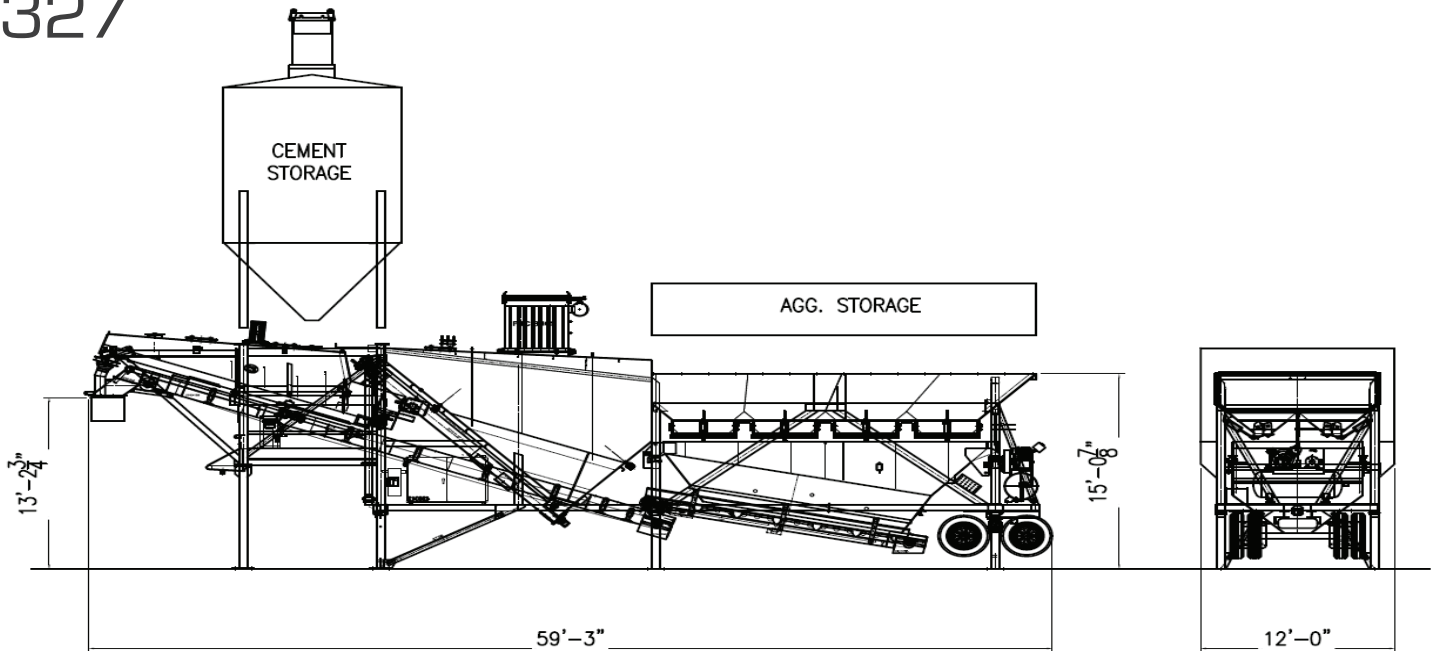


LO-PRO[®] MODEL 327



PRODUCTION CAPACITY:

Theoretical Cycle Time - 2.5 to 3 minutes

BATCHER CAPACITY:

Aggregate - 1 to 12 cubic yards (1 to 9.2 cubic meters)

Cement - 1 to 12 cubic yards (1 to 9.2 cubic meters)

Scales - Direct Load Cells

AGGREGATE BATCHER CONVEYOR:

30" wide (762 mm), 15 horsepower drive.

AGGREGATE DISCHARGE CONVEYOR:

30" wide (762 mm), 10 horsepower drive.

Optional 36" (914 mm), 15 horsepower.

CEMENT BATCHER RECIRCULATING SCREW:

14" diameter (360 mm), 15 horsepower.

CEMENT FEEDER SCREWS:

Two 9" diameter (230 mm), 15 horsepower drive.

Optional 12" diameter (300 mm), 20 horsepower.

CEMENT AERATION:

5 horsepower, high volume, low pressure blower.

OPTIONAL: Main frame mounted central dust collector

HIGH PRESSURE AIR COMPRESSOR:

10 horsepower, 120 gallon (0.45 cubic meters). Optional 15 or 20 horsepower, 120 gallon (0.45 cubic meters).

ELECTRICAL:

460 volt, 3-phase with 120 VAC transformer for control voltage.

All motors are TEFC. All motor circuit wiring protected by individual circuit breakers. Electrical components housed in NEMA steel enclosures. Wiring in conduit.

BATCH CONTROL SYSTEM:

Semi-automatic cut-off of cement by presets on digital readouts.

Push-button for electric over air on gates. Optional fully automatic computerized batch control system.

WATER METER:

3" diameter (77 mm) with up to 500 gallons (1,740 liters) per minute

TRANSPORTATION SYSTEM:

Rear-mounted 36,000 lb. (16,330 kg) capacity tandem axle with eight (8) 22.5 tires, wheels, air brakes, heavy duty spring suspension, tail and brake lights, and fifth wheel rub plate with king pin.

STORAGE BIN CAPACITIES:

AGGREGATE HEAPED VOLUME

43 to 80 cubic yards (33 to 61 cubic meters)

CEMENT I GROSS VOLUME

1,308 cubic feet (37 cubic meters)

CEMENT II GROSS VOLUME

1,600 to 2,940 cubic feet (45 to 83 cubic meters)

DIMENSIONS:

Towing length	52'-5" (15,977 mm)
Towing height	14'-4" (4,369 mm)
Towing width	12'-0" (3,658 mm)
Empty weight, total	60,000 lbs. (24,948 kg)

SHIPPING DIMENSIONS:

Length	61'-0" (18,593 mm)
Height	14'-4" (4,369 mm)
Width	12'-0" (3,658 mm)
Shipping Volume	10,490 cubic feet (297 cubic meters)

