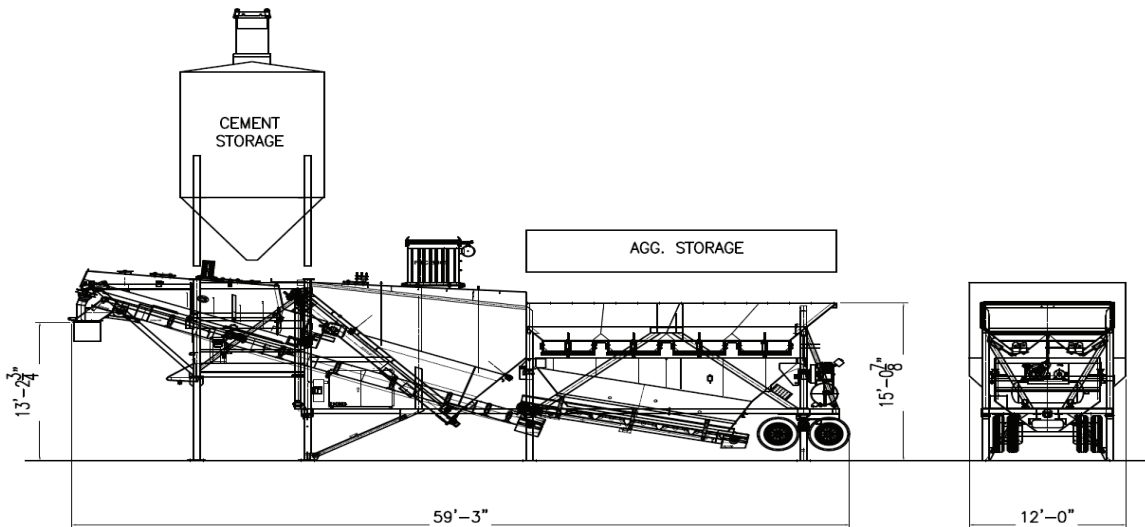


LO-PRO[®] MODEL 427



PRODUCTION CAPACITY:

Theoretical Cycle Time - 2.5 to 3 minutes

BATCHER CAPACITY:

Aggregate - 1 to 12 cubic yards (1 to 9.2 cubic meters)

Cement - 1 to 12 cubic yards (1 to 9.2 cubic meters)

Scales - Direct Load Cells

AGGREGATE BATCHER CONVEYOR:

30" wide (762 mm), 10 horsepower drive.

Optional 15 horsepower drive

AGGREGATE DISCHARGE CONVEYOR:

30" wide (762 mm), 10 horsepower drive.

Optional 36" (914 mm), 15 horsepower

CEMENT BATCHER RECIRCULATING SCREW:

14" diameter (360 mm), 15 horsepower

Optional 18" diameter (460 mm), 20 horsepower

CEMENT FEEDER SCREWS:

Two 9" diameter (230 mm), 15 horsepower drive.

Optional 12" diameter (300 mm), 20 horsepower

CEMENT AERATION:

5 and 7 horsepower, high volume, low pressure blowers.

HIGH PRESSURE AIR COMPRESSOR:

10 horsepower, 120 gallon (0.45 cubic meters). Optional 15, 20, 25 or 30 horsepower, 120 gallon (0.45 cubic meters).

ELECTRICAL:

460 volt, 3-phase with 120 VAC transformer for control voltage. All motors are TEFC. All motor circuit wiring protected by individual circuit breakers. Electrical components housed in NEMA steel enclosures. Wiring in conduit.

BATCH CONTROL SYSTEM:

Semi-automatic cut-off of cement by presets on digital readouts. Push-button for electric over air on gates. Optional fully automatic computerized batch control system.

WATER METER:

3" diameter (77 mm) with up to 500 gallons (1,740 liters) per minute

TRANSPORTATION SYSTEM:

Rear-mounted 36,000 lb. (16,330 kg) capacity tandem axle with eight (8) 295/75R 22.5 tires, wheels, air brakes heavy duty spring suspension, tail and brake lights, and fifth wheel rub plant with king pin.

STORAGE BIN CAPACITIES:

AGGREGATE HEAPED VOLUME

50 to 90 cubic yards (38 to 68 cubic meters)

CEMENT I GROSS VOLUME

1,708 cubic feet (47.5 cubic meters)

CEMENT II GROSS VOLUME

1,600 to 3,060 cubic feet (45 to 85 cubic meters)

DIMENSIONS:

Towing length	60'-0" (18,000 mm)
Towing height	14'-4" (4,369 mm)
Towing width	11'-6" (3,450 mm)
Empty weight, total	60,000 lbs. (22,395 kg)

SHIPPING DIMENSIONS:

Length	70'-0" (21,336 mm)
Height	14'-4" (4,369 mm)
Width	1'-6" (3,450 mm)
Shipping Volume	11,536 cubic feet (326 cubic meters)

