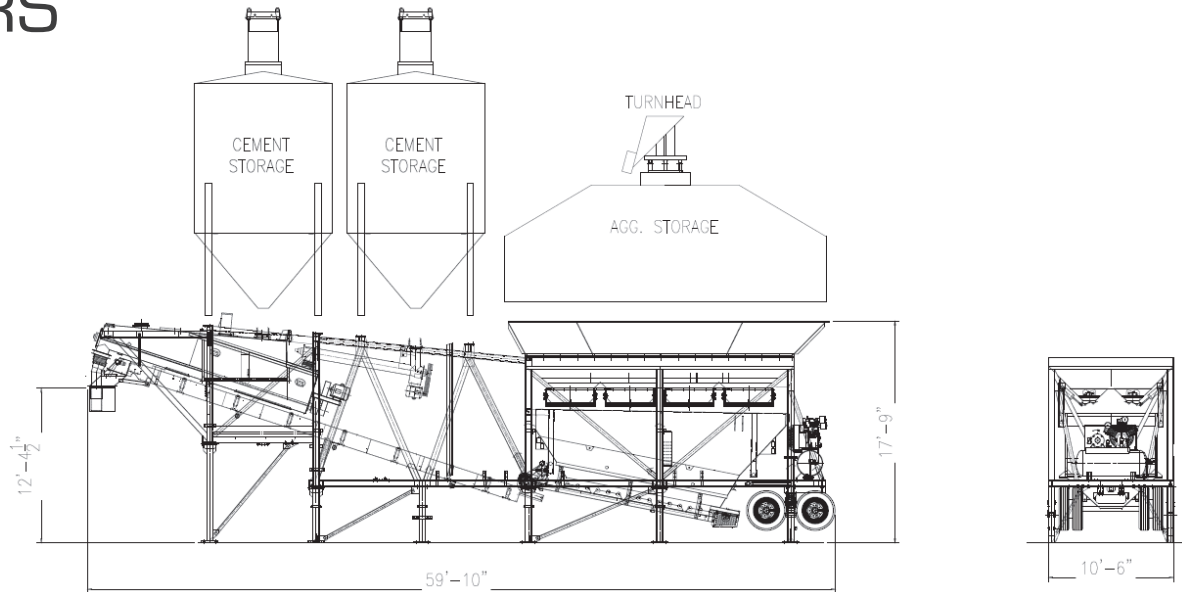


LO-PRO[®] MODEL 12RS



PRODUCTION CAPACITY:

Theoretical Cycle Time - 2.5 to 3 minutes

BATCHER CAPACITY:

Aggregate - 1 to 12 cubic yards (1 to 9.2 cubic meters)

Cement - 1 to 12 cubic yards (1 to 9.2 cubic meters)

Scales - Direct Load Cells

AGGREGATE BATCHER CONVEYOR:

30" wide (762 mm), 10 horsepower drive.

Optional 15 horsepower drive

AGGREGATE DISCHARGE CONVEYOR:

30" wide (762 mm), 10 horsepower drive.

Optional 36" (914 mm), 15 horsepower

CEMENT BATCHER RECIRCULATING SCREW:

14" diameter (360 mm), 15 horsepower

Optional 18" diameter (460 mm), 20 horsepower

CEMENT II FEEDER SCREW:

9" diameter (230 mm), 15 horsepower drive.

Optional 12" diameter (300 mm), 20 horsepower

CEMENT AERATION:

5 horsepower, high volume, low pressure blower.

HIGH PRESSURE AIR COMPRESSOR:

10 horsepower, 120 gallon (0.45 cubic meters). Optional 15, 20, 25 or 30 horsepower, 120 gallon (0.45 cubic meters).

ELECTRICAL:

460 volt, 3-phase with 120 VAC transformer for control voltage.

All motors are TEFC. All motor circuit wiring protected by individual circuit breakers. Electrical components housed in NEMA steel enclosures. Wiring in conduit.

BATCH CONTROL SYSTEM:

Semi-automatic cut-off of cement by presets on digital readouts. Push-button for electric over air on gates. Optional fully automatic computerized batch control system.

WATER METER:

3" diameter (77 mm) with up to 500 gallons (1,740 liters) per minute

TRANSPORTATION SYSTEM:

Rear-mounted 36,000 lb. (16,330 kg) capacity tandem axle with eight (8) 255/70R 22.5 tires, wheels, air brakes heavy duty spring suspension, tail and brake lights, and fifth wheel rub plant with king pin.

STORAGE BIN CAPACITIES:

AGGREGATE	HEAPED VOLUME
	59 to 270 cubic yards
	45 to 200 cubic meters

CEMENT I	GROSS VOLUME
	1,600 to 4,920 cubic feet
	45 to 139 cubic meters

CEMENT II	GROSS VOLUME
	1,600 to 4,920 cubic feet
	45 to 139 cubic meters

DIMENSIONS:

Towing length	51'-0" (15,545 mm)
Towing height	14'-3" (4,345 mm)
Towing width	10'-6" (3,200 mm)
Empty weight, total	44,000 lbs. (19,958 kg)

SHIPPING DIMENSIONS:

Length	61'-0" (18,593 mm)
Height	4'-3" (4,345 mm)
Width	10'-6" (3,200 mm)
Shipping Volume	9,127 cubic feet (258 cubic meters)

