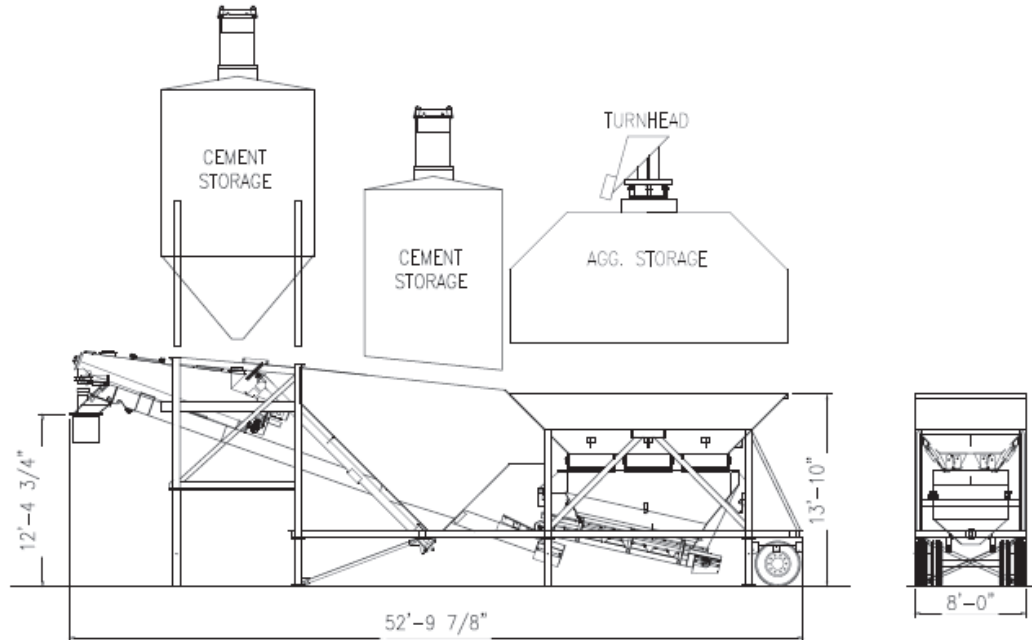


LO-PRO[®] MODEL

5



PRODUCTION CAPACITY:

Theoretical Cycle Time - 2.5 to 3 minutes

BATCHER CAPACITY:

Aggregate - 1 to 5 cubic yards (1 to 3.8 cubic meters)

Cement - 1 to 5 cubic yards (1 to 3.8 cubic meters)

Scales - Direct Load Cells

AGGREGATE BATCHER CONVEYOR:

24" wide (610 mm), 10 horsepower drive.

AGGREGATE DISCHARGE CONVEYOR:

24" wide (610 mm), 10 horsepower drive.

CEMENT BATCHER RECIRCULATING SCREW:

12" diameter (305 mm), 10 horsepower

CEMENT FEEDER SCREWS:

Two each - 6" diameter (152 mm), 10 horsepower drive.

CEMENT AERATION:

5 horsepower, high volume, low pressure blower.

HIGH PRESSURE AIR COMPRESSOR:

10 horsepower, 80 gallon (0.30 cubic meters).

Optional 15 horsepower, 80 gallon (0.30 cubic meters).

ELECTRICAL:

460 volt, 3-phase with 120 VAC transformer for control voltage.

All motors are TEFC. All motor circuit wiring protected by individual circuit breakers. Electrical components housed in NEMA steel enclosures. Wiring in conduit.

BATCH CONTROL SYSTEM:

Semi-automatic cut-off of cement by presets on digital readouts. Pushbutton for electric over air on gates. Optional fully automatic computerized batch control system

WATER METER:

3" diameter (77 mm) with up to 500 gallons (1,740 liters) per minute

TRANSPORTATION SYSTEM:

Rear-mounted 19,000 lb. (9,090 kg) capacity single axle with four (4) 255/70R 22.5 tires, wheels, air brakes heavy duty spring suspension, tail and brake lights, and fifth wheel rub plant with king pin.

STORAGE BIN CAPACITIES:

AGGREGATE HEAPED VOLUME

26 to 86 cubic yards (19 to 65 cubic meters)

CEMENT I GROSS VOLUME

716 to 2,360 cubic feet (20 to 66 cubic meters)

CEMENT II GROSS VOLUME

1,600 cubic feet (45 cubic meters)

DIMENSIONS:

Towing length	45'-3" (13,790 mm)
Towing height	14'-2" (4,318 mm)
Towing width	8'-0" (2,440 mm)
Empty weight, total	37,600 lbs. (17,091 kg)

SHIPPING DIMENSIONS:

Length	54'-0" (16,460 mm)
Height	14'-2" (4,318 mm)
Width	8'-0" (2,343 mm)
Shipping Volume	6,118 cubic feet (173 cubic meters)

