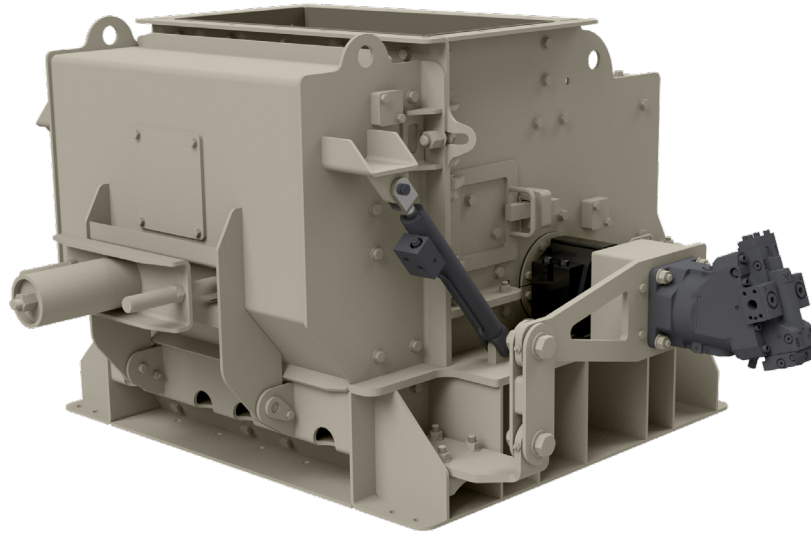


3136

Horizontal Shaft Impactor



Inlet Opening

- 8.36" x 36.00"

Rotor

- Variable speed of 675-900 RPM (2-bar)
- Variable tip speed of 5500-7000 fpm max
- Diameter of 31"
- Width of 36"
- Blow bar weight of 250 lb. each

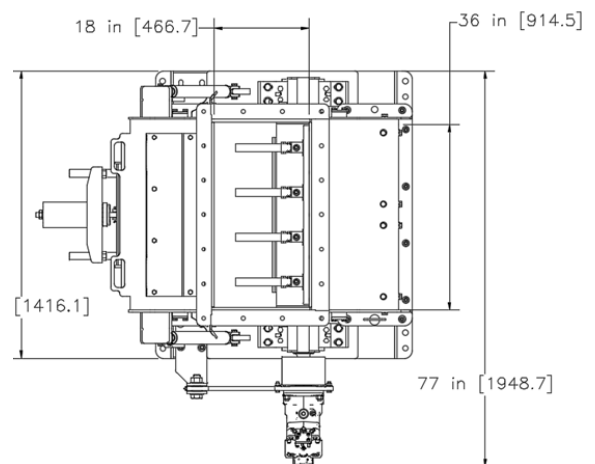
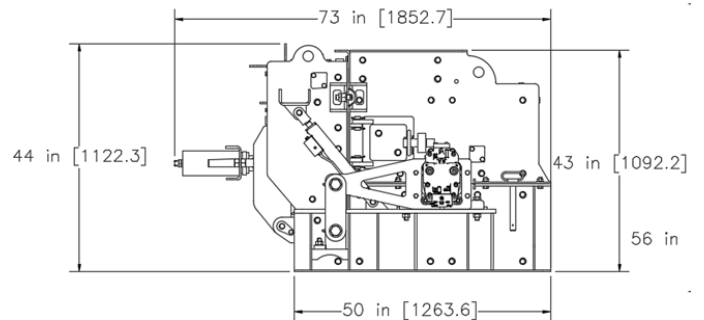
Power

- Electric, 75 HP

Plant Capacity

- Up to 175 TPH (tonnages will vary with conditions)

Dimension	Standard	Metric
Operating Length	6'1"	1.86mm
Operating Height	3'7"	1.09mm
Operating Width	5'1"	1.55mm
Feed Height	3'6"	1.07mm
Unit Weight	5,800lb	22,631kg



Note: consult factory for exact dimensions, specifications are subject to change without notice.