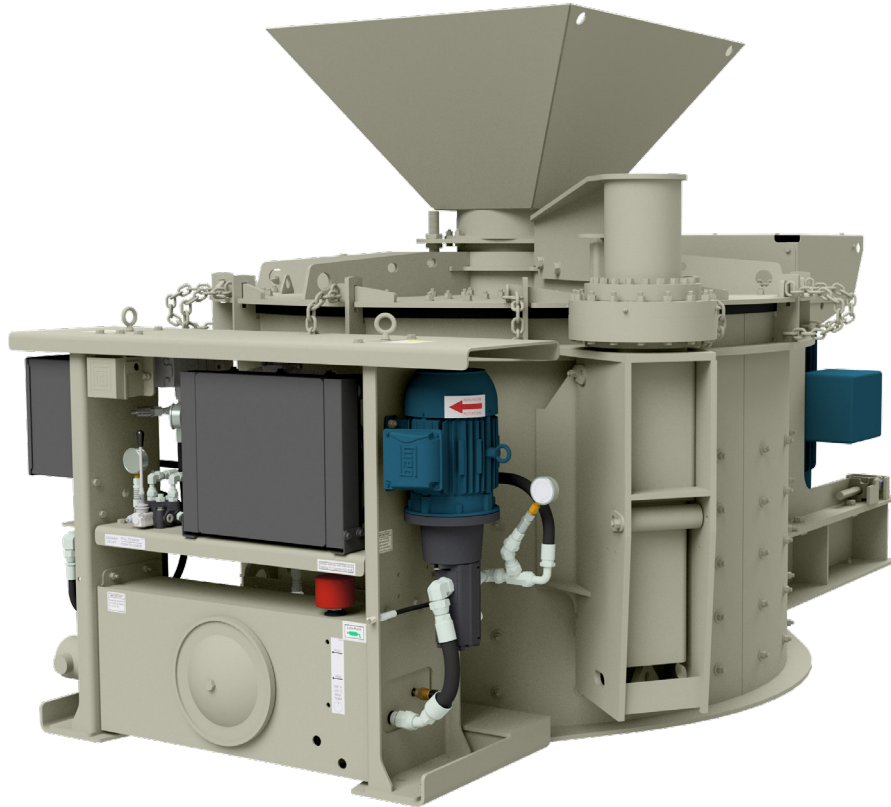


# 1500EV

## Vertical Shaft Impactor



### Main Frame and Tub

- Fabricated steel plate
- Bolt-on liners
- Vibration monitor

### Feed Mechanism

- Externally adjustable fabricated feed box
- Replaceable feed tube liners

### Lid

- Fabricated steel plate with access door
- Bolt-on liners
- Wedge lock lid retention system

### Pedestal Assembly

- Fabricated stress relieved housing
- Tapered roller bearings
- SAE 4150 steel shaft
- Massive flywheel for accelerator mounting

### Accelerator

- 3 port rotor and 3, 4, or 5 shoe tables are interchangeable
- Completely replaceable liners

### Impact Area

- Hybrid rock shelf and cluster ring are interchangeable
- Replaceable anvils

### Lube System

- Pedestal lubrication system, 5hp electric pump
- Gravity flow low-pressure system
- Oil pressure alarm
- Oil cooler

### Options

- Electric or diesel power unit at 1,200 RPM
- Hydra-Arm lid removal system
- Vibration Monitor
- Standard / Hardpart (H) configuration
- Semi-Autogenous configuration
- Autogenous configuration

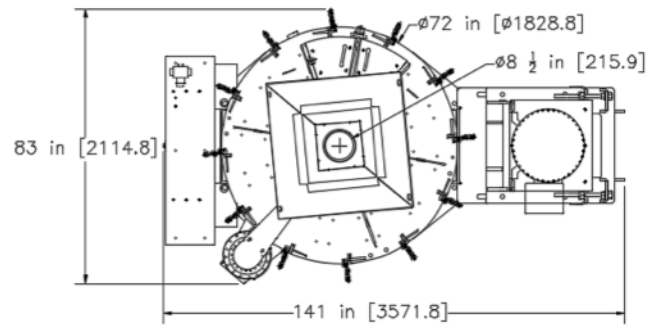
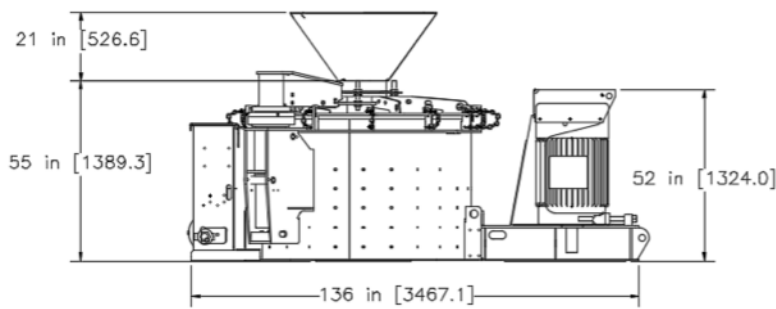
Configuration	Material Type	Impeller Shoes/ Rotor Ports
Standard Shoe and Anvil	Non-Abrasive	3 (std.), 4 or 5
Rotor and Anvil	Abrasive	3
Rotor and Shelf	Abrasive	3

Dimension	Standard	Metric
Recommended Power Electric	150hp	112 kW
Standard (Hard) Weight	13,200lb	5,987kg
Semi-Autogeneous Weight	13,500lb	6,123kg
Autogeneous Weight	13,700lb	6,214kg
Operating* Length	139in	3,540mm
Operating* Width	84in	2,127mm
Operating* Height	76in	1,909mm
*Operating envelope based on closed crusher		
Service* Length	139in	3,540mm
Service* Width	149in	3,787mm
Service* Height	90in	2,268mm
*Operating envelope based on closed crusher		

### Physical and Operating Characteristics

Dimension	Standard	Metric
VSI Feed Opening Diameter	8 ½"	216mm
Max Feed Size	2"	51mm
Approx. Capacity Hardpart	75 - 125 TPH	67-112 MTPH
Approx. Capacity Autogenous	75 - 150 TPH	67-135 MTPH
Explosion Chamber	4,635in <sup>3</sup>	75,954cm <sup>3</sup>
Accelerator RPM	1,200 - 2,000	
Recommended Power Diesel	200hp	149 kW

### Closed Crusher



### Open Crusher

