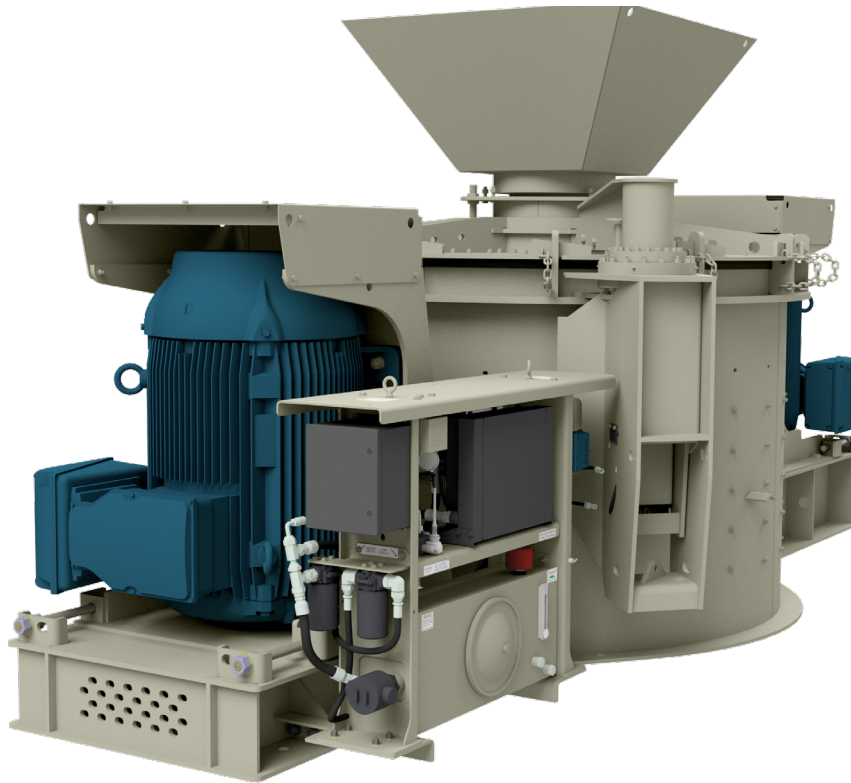


3500EVT

Vertical Shaft Impactor



Main Frame and Tub

- Fabricated steel plate
- Bolt-on liners
- Vibration monitor

Feed Mechanism

- Fabricated feed hopper
- Externally adjustable feed tube
- Replaceable/reversible feed tube

Lid

- Fabricated steel plate with hinged access door
- Bolt-on liners
- Wedge lock lid retention system

Pedestal Assembly

- Fabricated stress relieved housing
- Heavy-duty tapered roller bearings
- SAE 4150 steel shaft
- Massive flywheel for accelerator mounting

Accelerator

- 4 port rotor with drop-in replaceable carbides
- 3, 4 or 5 shoe tables
- Rotor and shoe tables are interchangeable
- Bolt-on replaceable liners

Impact Area

- Hybrid rock shelf and cluster ring are interchangeable
- Replaceable anvils

Lube System

- Pedestal lubrication system, 5hp electric pump
- Gravity flow low-pressure system
- Oil pressure and flow alarms
- Oil cooler

Options

- Electric or diesel power unit
- Hydra-arm lid removal system
- Lube oil tank heater
- Standard/hardpart configuration
- Semi-autogenous configuration
- Autogenous configuration
- Optional feed tube diameters

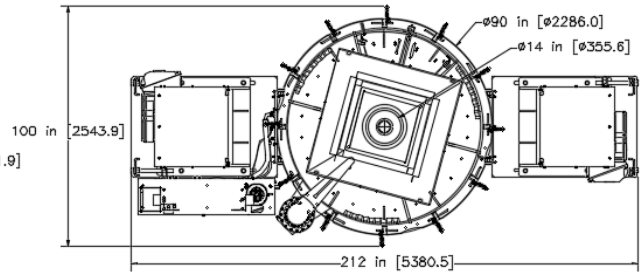
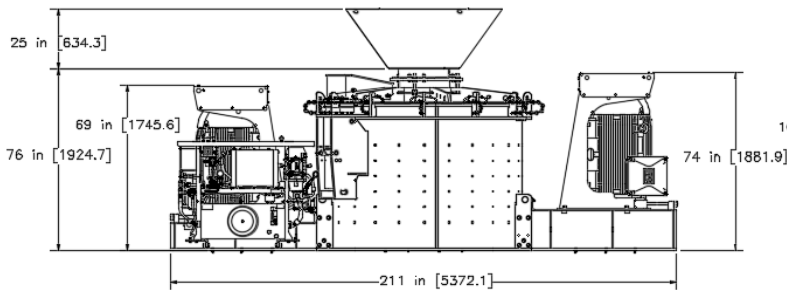
Configuration	Material Type	Impeller Shoes/ Rotor Ports
Standard Shoe and Anvil	Non-Abrasive	3, 4, 5
Semi-autogenous Rotor and Anvil	Abrasive	4
Fully-autogenous Rotor and Shelf	Abrasive	4

Physical and Operating Characteristics

Dimension	Standard	Metric
VSI Feed Opening Diameter	14"	356mm
Max Feed Size Standard	3"	76mm
Max Feed Size Autogeneous	2"	51mm
Approx. Capacity	250-400 TPH	227-363 MTPH
Explosion Chamber	10,940in ³	179,274cm ³
Accelerator RPM	840 - 1,200	

Dimension	Standard	Metric
Recommended Power Diesel	500 hp	373 kW
Recommended Power Electric	400 hp	298 kW
Standard (Hard) Weight	24,000lb	10,886kg
Semi-Autogeneous Weight	24,500lb	11,113kg
Autogeneous Weight	24,800lb	11,249kg
Operating* Length	212"	5,384mm
Operating* Width	100"	2,540mm
Operating* Height	101"	2,565mm
*Operating envelope based on closed crusher		
Service* Length	212"	5,384mm
Service* Width	179"	4,546mm
Service* Height	115"	2,921mm
*Service envelope based on open crusher		

Closed Crusher



Open Crusher

