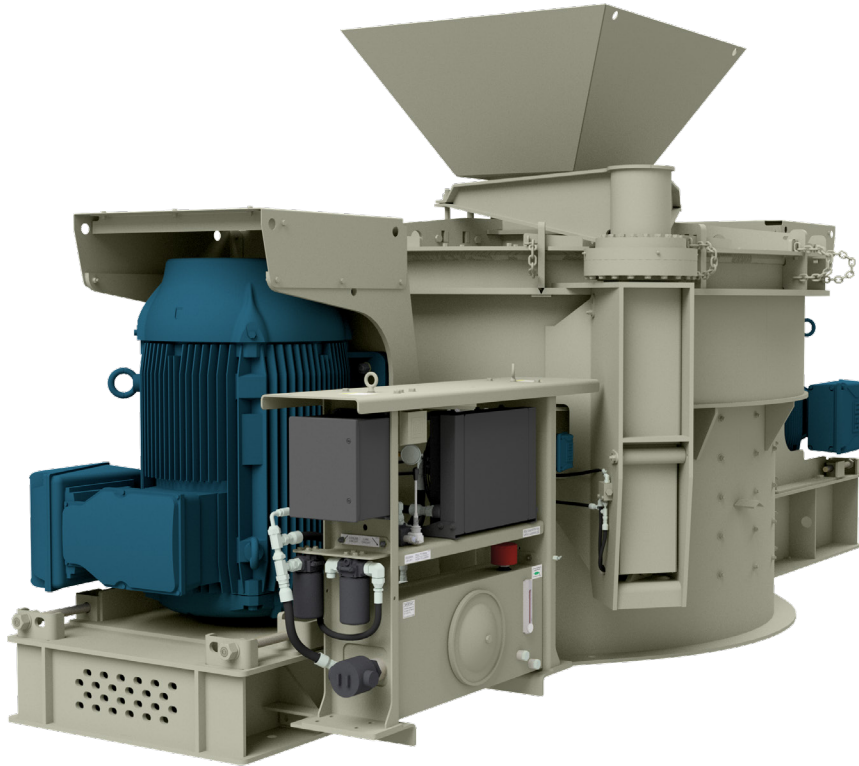


4500EVT

Vertical Shaft Impactor



Main Frame and Tub

- Fabricated steel plate
- Bolt-on liners
- Vibration Monitor

Feed Mechanism

- Fabricated feed hopper
- Externally adjustable feed tube
- Replaceable/reversible feed tube

Lid

- Fabricated steel plate with hinged access door
- Bolt-on liners
- Wedge lock lid retention system

Pedestal Assembly

- Fabricated stress relieved housing
- Heavy-duty tapered roller bearings
- SAE 4150 steel shaft
- Massive flywheel for accelerator mounting

Accelerator

- 3 port rotor with drop in replaceable carbides
- 3, 4, or 5 shoe tables
- Rotor and shoe tables are interchangeable
- Bolt-on replaceable liners

Impact Area

- Hybrid rock shelf and cluster ring are interchangeable
- Replaceable anvils

Lube System

- Pedestal lubrication system, 5hp electric pump
- Gravity flow low-pressure system
- Oil pressure and flow alarms
- Oil cooler

Options

- Electric or diesel power unit
- Hydra-Arm lid removal system
- Lube oil tank heater
- Standard/hardpart configuration
- Semi-autogenous configuration
- Autogenous configuration
- Optional feed tube diameters

Configuration	Material Type	Impeller Shoes/ Rotor Ports
Standard Shoe and Anvil	Non-Abrasive	3, 4 or 5**
Semi-autogenous Rotor and Anvil	Abrasive	3
Autogenous Rotor & Shelf	Abrasive	3

Physical and Operating Characteristics

Dimension	Standard	Metric
VSI Feed Opening Diameter	16"	406mm
Max Feed Size Hardpart**	5"	127mm
Max Feed Size Autogenous	2.5"	64mm
Approx. Capacity Hardpart	300-450 TPH	267-401 MTPH
Approx. Capacity Autogenous	300-500 TPH	267-445 MTPH
Explosion Chamber	17,360in ³	284,479cm ³
Accelerator RPM	840 - 1,200	
Recommended Power Diesel	625 hp	466 kW

Dimension	Standard	Metric
Recommended Power Electric Single	500hp	373 kW
Recommended Power Electric Twin	250hp	186 kW
Standard (Hard) Weight	29,100lb	13,200kg
Semi-Autogeneous Weight	29,500lb	13,38kg
Autogeneous Weight	29,900lb	13,562kg
Operating* Length	212"	5,384mm
Operating* Width	110"	2,799mm
Operating* Height	104"	2,636mm

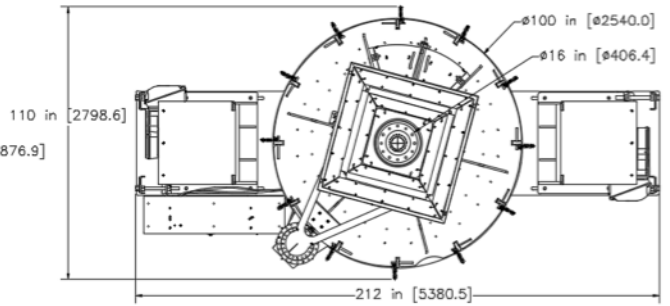
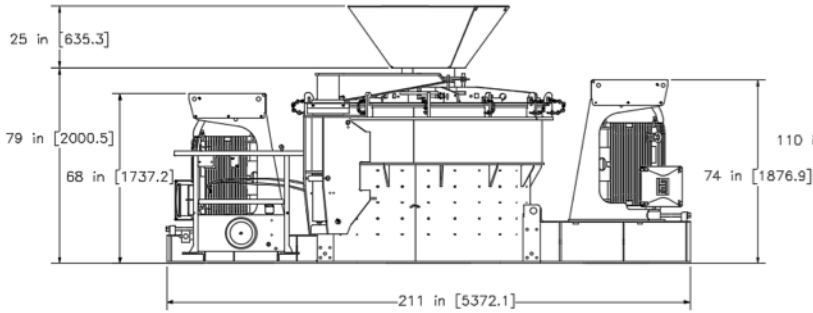
*Operating envelope based on closed crusher

Service* Length	212"	5,381 mm
Service* Width	199"	5,066mm
Service* Height	118"	2,991 mm

*Service envelope based on open crusher

** 5 shoe tables limited to 2in (51mm) feed.

Closed Crusher



Open Crusher

