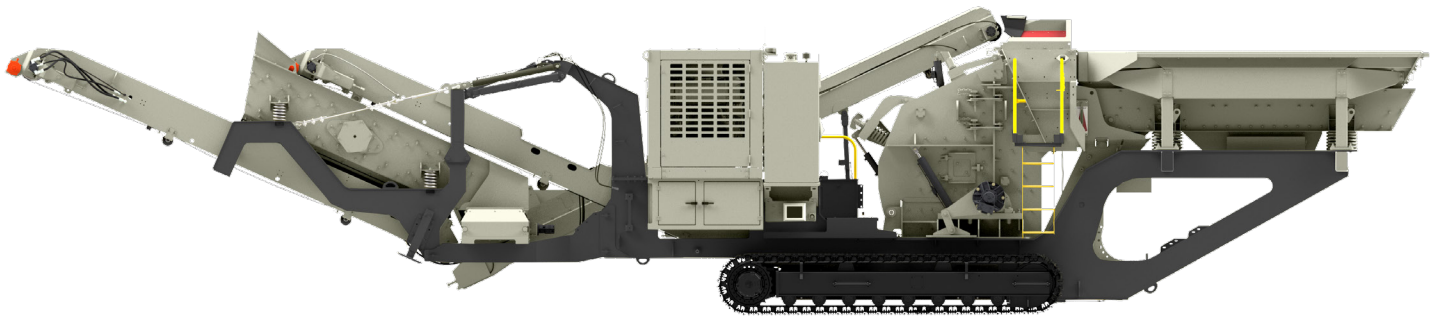


GT440CC



Mobile Horizontal Shaft Impact Crusher



Impact Crusher

- Crusher opening:
 - Height: 36 in (914 mm)
 - Width: 40 in (1,016 mm)
- 3-bar MPR rotor
- Multiple blow bar chemistries available to fit application
- Two (2) fully-lined aprons
- Minimum apron settings:
 - Primary: 2 in (50 mm)
 - Secondary: 1 in (25 mm)
- Hydraulic apron adjustment
- Hydraulic drive
- Rotor RPM range varies by application and rotor type
- Hydraulically-actuated rear access

Vibrating Grizzly Feeder

- Dimensions:
 - Length: 14 ft (4,270 mm)
 - Width: 40 in (1,020 mm)
 - Grizzly length: 43 in (1,090 mm)
 - Grizzly spacing: 1 in (25 mm)
 - Hopper capacity: 5.5 cu. yds (4.2 cu. m)
- Variable-speed hydraulic drive
- Three-way bypass chute with flop gate and AR liner

Chassis

- High-strength, fabricated box-beam main frame
- 19.68 in (500 mm) wide tracks
- Hydraulic track drive, with spring applied/hydraulic released brakes
- Maintenance platforms and access ladders
- Ground-level access for grease lubrication

Under-Crusher Conveyor

- Nominal, 36 in (900 mm) wide belt
- Plain belt, EP630/2 with vulcanized splice
- Dual hydraulic motor drive
- Discharge height: 10' 7" (3,225 mm)
- Impact bed under crusher
- Removable for maintenance
- Primary belt cleaner

Screen

- Incline, 5 x 10 ft (1,525 x 3050 mm)
- Two (2) full length top and bottom decks
- Adjustable amplitude with bolt-on weights
- Coil springs
- Hydraulically folds for transport
- Easily removed for maintenance

Under-Screen Conveyor

- Nominal, 48 in (1,200 mm) wide belt
- Plain belt, EP500/3 with vulcanized splice
- Dual hydraulic motor drive
- Discharge height: 10 ft 7 in (3,225 mm)
- Primary belt cleaner

Overs Conveyor

- Nominal, 24 in (600 mm) wide belt
- Plain belt, EP400/3 with vulcanized splice
- Hydraulic motor drive
- Primary belt cleaner

Return Conveyor

- Nominal, 18 in (450 mm) wide belt
- Chevron belt, EP315/3 with vulcanized splice
- Hydraulic motor drive
- Folds for transport

Power & Hydraulics

- Caterpillar C9.3B diesel engine, 416 HP (310 kW), Tier 4F / Stage V
- Engine block heater (120 VAC)
- 140 gal (530 L) fuel tank
- 135 gal (511 L) hydraulic tank with return filter
- Hydrostatic pump group and circuit
- Hydraulics for optional screen package
- One (1) 12 GPM (45 LPM) auxiliary circuit for optional side delivery conveyor (less side delivery conveyor)
- One (1) 20 GPM (76 LPM) auxiliary circuit for magnet (less magnet) or off-plant stacker
- Hydraulic oil cooler

Control System

- PLC control system with touch screen
- Radio remote control for tracks and feeder; includes tether back-up
- Crusher overload protection system (OPS)

Dust Suppression System

- Manifold for customer filtered water supply
- Spray bars at crusher feed inlet, under crusher hopper outlet, and under crusher conveyor head pulley
- Ball valves for each spray bar

Optional Equipment

- Step-deck grizzly bars with 2.5 in (65 mm) spacing in lieu of grizzly fingers
- Side conveyor: nominal, 18 in (450 mm) wide belt with hydraulic fold for travel (LH discharge only)
- 4-bar rotor (with 2 full blow bars and 2 half bars) in lieu of 3 bar rotor
- Self-cleaning, permanent cross-belt magnet
- Return conveyor:
 - Add for discharge chute with flop gate and chute extension
 - Add for 3-sided rock box feed hopper (configures return conveyor to accept feed from off-plant equipment in open circuit)
- Additional cross conveyor (screen top deck), nominal, 18 in (450 mm) wide belt
- Screen wire, two deck screen (standard high carbon steel)
- Caterpillar C9.3B, 375 HP (280 kW) LRC (lesser regulated countries) in lieu of Tier 4F / Stage V (applies to export only excluding Canada, Japan, EU countries)
- Engine enclosure filter kit

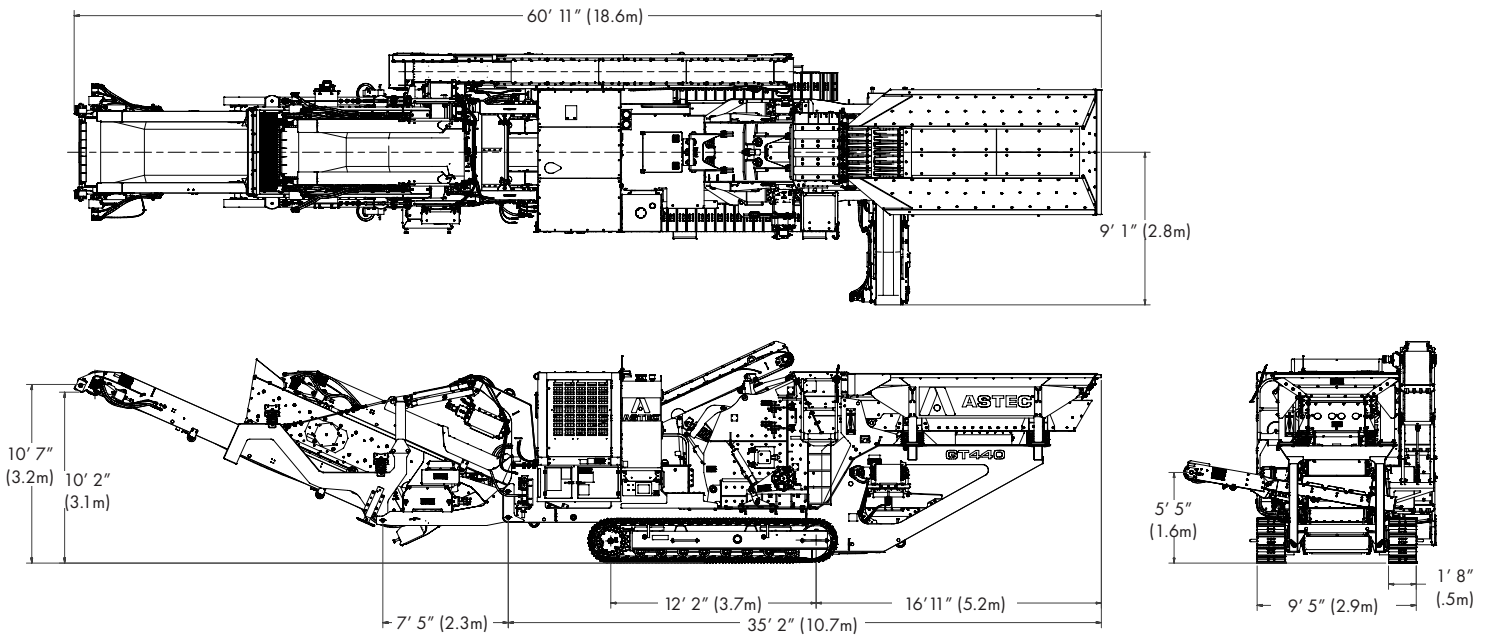
- Immersion heater for hydraulic reservoir, 120 VAC (with power plug and cord)
- Extreme cold weather lubrication (only for use with ambient operating temperature below 0°F/-18°C)
- Lighting package: mounted on engine compartment
- Belt scale for under-screen conveyor
- Security kit
- Manual jib crane for blow bar replacement

Physical/Operating Characteristics

Dimension	Imperial	Metric
Base Unit Weight*	99,000 lb	44.9 t
Transport Width	11'	3.4 m
Transport Length	61' 3"	18.6 m
Transport Height	11' 9"	3.6 m
Operating Width	11'	3.4 m
Operating Width with optional side delivery conveyor	16'	4.9 m
Operating Length	60' 10"	18.5 m
Operating Height	13' 2"	4.0 m
Under Crusher Conveyor Discharge Height	10' 7"	3.2 m
Under Screen Conveyor Discharge Height	10' 7"	3.2 m
Side Delivery Conveyor Discharge Height	6' 1"	1.8 m
Feed Height	11' 3"	3.4 m

*Does not include options

Operation



Transport

