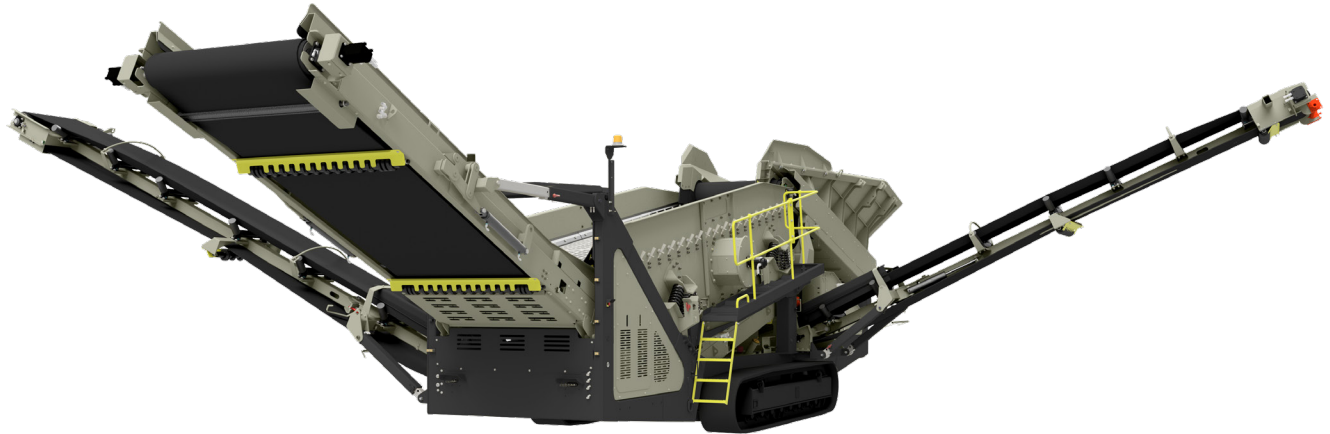


# GT206

## Mobile Screen Plant



### Vibrating Screen

- 6'x20' two deck
- 850 RPM adjustable amplitude
- Access ladder with walk way
- Modular top deck design
- Discharge end of screen raises for cloth changes

### Chassis

- 15" channel frame
- Track mount design
- Pendant remote control

### Hopper

- 11.5 cubic yard heaped capacity
- Hydraulic fold for transport

### Overs Conveyor

- 20' x 64" (1,600mm) conveyor
- Hydraulic variable speed drive
- Full Length Impact Bed
- Hydraulic discharge height adjustment 24-degree max
- Folds for transport
- Chevron Belt

### Under-Screen Conveyor

- 18' x 56" (1,400mm) fixed conveyor
- Hydraulic variable speed
- Adjustable back board
- Primary belt cleaner

### Bottom Deck Overs Side Conveyor

- 33' x 36" (900mm) fold out design
- Hydraulic variable speed
- Hydraulic discharge height adjustment
- Chevron belt

### Fines Side Conveyor

- 32' x 42" (1,050mm) fold out design
- Hydraulic variable speed
- Hydraulic discharge height adjustment
- Plain belt, primary belt cleaner

### Power System

- 173hp CAT Tier IV Final diesel engine
- Oil Cooler
- Engine mounted hydraulic pumps to operate all plant functions
- NEMA-4 rated instrument panel
- Emergency stops

### Service Capacity

- 145gal fuel tank
- 210gal hydraulic reservoir

## Options

- Punch plate top deck (flat or crowned)
- Grizzly bars top deck
- Finger bars top deck
- Wireless track remote
- Ball tray for bottom deck module
- Rear loader feed wings (increases heaped capacity to 13 cubic yards)
- Hydraulic grizzly and bulkhead for hopper
- Apron feeder

## Physical/Operating Characteristics

Dimension	Standard	Metric
Operating Length	55' -10"	16.85m
Travel Length	61' 3"	18.72m
Operating Height	16' 3"	4.79m
Travel Height	11' 10"	4.97m
Operating Width	56' 9"	17.31m
Travel Width	11'	3.35m
Unit Weight (Belt Feeder)	96,000lb	43,544kg
Feed Height (Front Feed)	11' 10"	3.65m
Feed Height (Side Feed)	13'	3.96m
Maximum Feed	24"	610mm
Maximum Total Products	(2) Sized	1 oversize
Side to Side Operating Slope	1% Grade	
Front to Back Operating Slope	3% Grade	