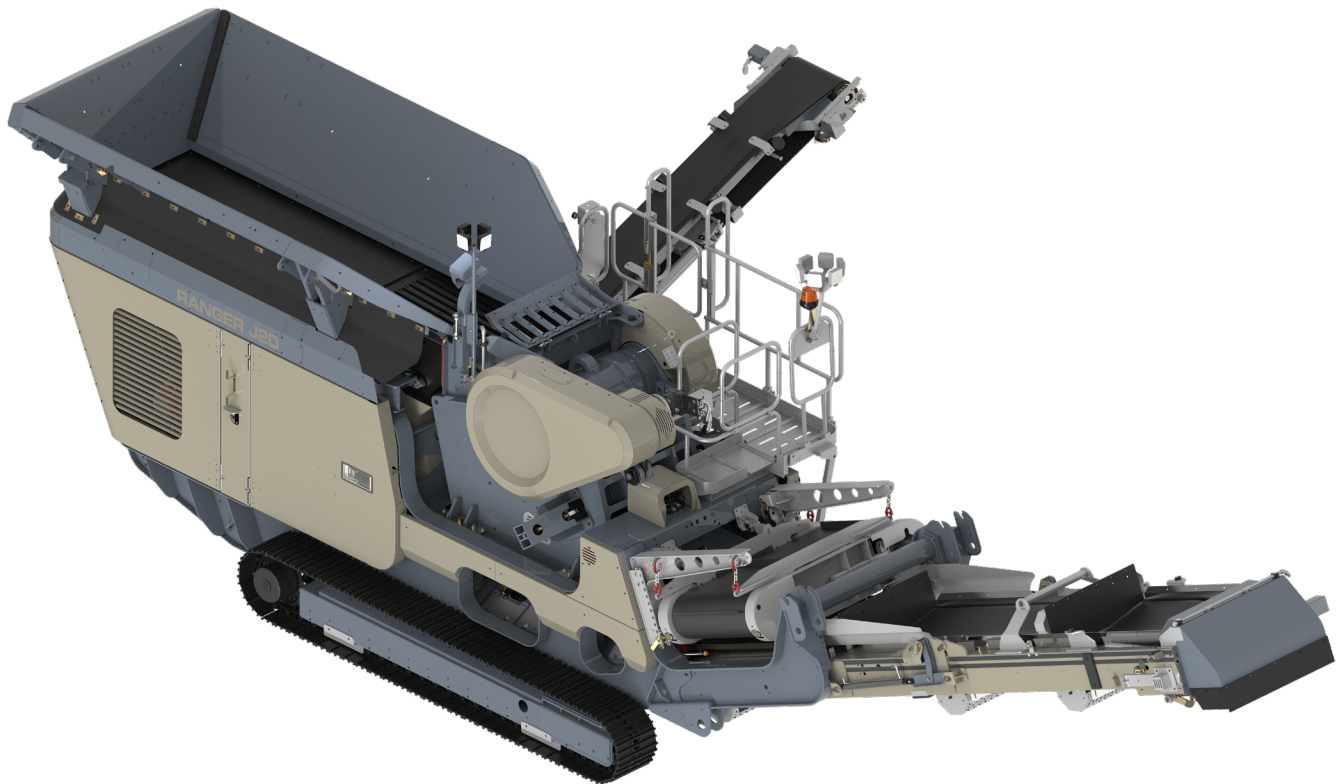


J20

Mobile Jaw Crusher



Hopper/Feeder

- Hydraulically folds sides and rear hopper
- Hopper size 6' 6" x 13' 5" (2,000 x 4,100mm)
- 5 cubic yard hopper capacity

Under Crusher Conveyor

- 30' x 36" (9,144 x 900mm) conveyor with hydraulic drive
- Hydraulically folds for transport
- Impact bed under crusher
- Discharge height 9' 10" (3,015mm)

Power Unit

- Volvo Penta D5 172hp (129kw), EU Stage IV or V, EPA Tier 3 or 4F
- CAT C4.4 172hp (129kw) EU Stage IV or V, EPA Tier 3 or 4F
- 52 gal (200L) fuel tank
- 156 gal (600L) hydraulic oil reservoir
- 34" x 20" (850 x 500mm) crusher opening
- Reversible hydraulic drive through V-belts

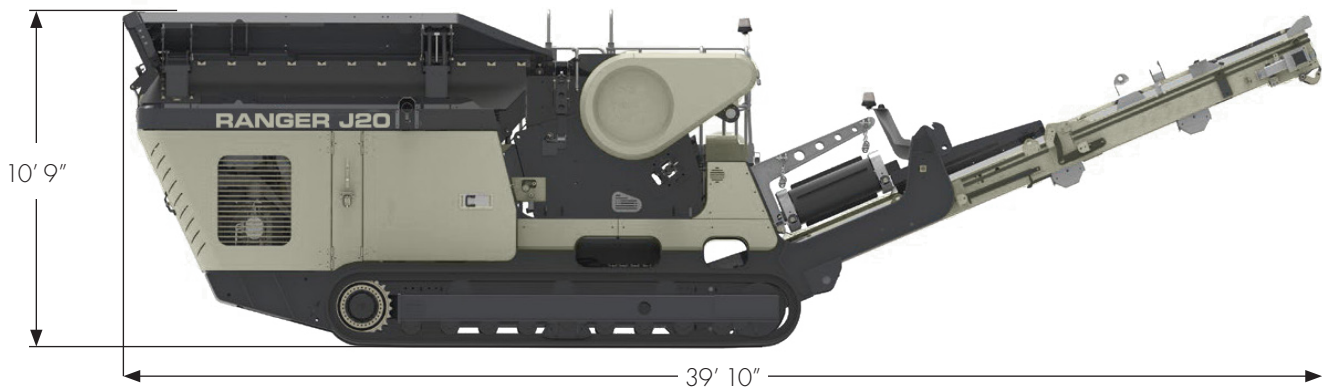
Options

- Overband magnet conveyor
- Dust suppression
- Side conveyor
- Wireless track remote
- Auto grease system for all bearings
- Closed circuit which includes:
 - Single deck screen box 3' 8" x 10' 5" (1,125 x 3,180mm)
 - 18' x 36" (5,486 x 900mm) fines conveyor
 - 27' x 20" (8,230 x 500mm) return conveyor with hydraulic folding for transport
 - Quick release coupler unit
 - Optional screen media

Physical/Operating Characteristics

Dimension	Standard	Metric
Open Circuit		
Operating Length	46'	14m
Operating Width	18'	5.5m
Operating Height	10' 9"	3.3m
Travel Length	31' 7"	9.6m
Travel Width	8' 4"	2.6m
Travel Height	9' 8"	2.9m
Unit Weight	64,485lb	29,250kg
Feed Height (Front Feed)	10' 9"	3.3m
Closed Circuit		
Operating Length	46' 3"	14.1m
Operating Width	22' 5"	6.8m
Operating Height	11' 8"	3.6m
Travel Length	42' 7"	13m
Travel Width	8' 2"	2.5m
Travel Height	9' 8"	2.9m
Unit Weight	78,300lb	35,500kg

Operating



Transport

