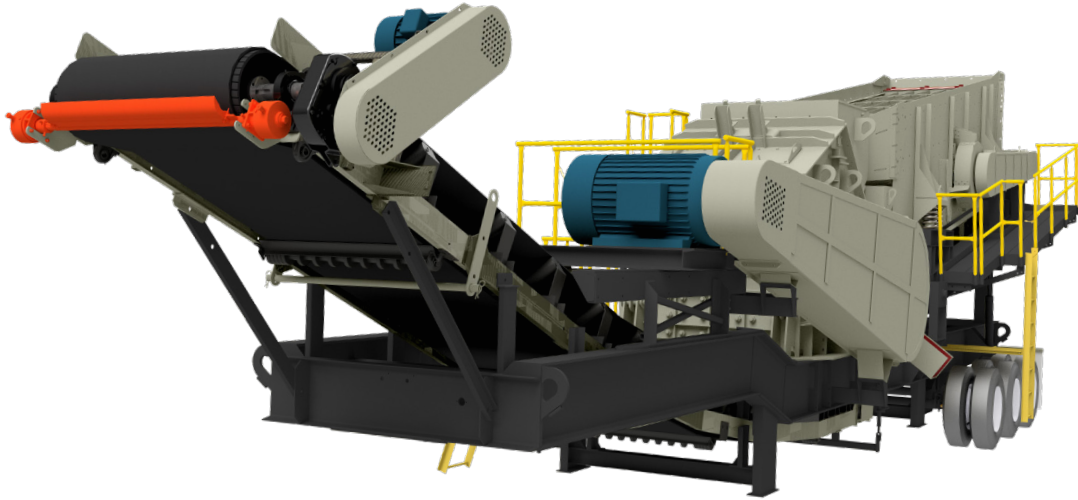


SS5260

Portable HSI Plant



Heavy Scalping Screen With Conveyor

- 6' x 20' 3 deck incline screen KPI model 6203LP at 15deg
- 40 HP motor, mount, drive, and guarding
- AR lined feed box and discharge lips
- LESS screen cloth LESS starter and wiring
- Standard screen discharge configuration top deck to crusher, middle deck to crusher or under crusher bypass, bottom deck to under crusher bypass chute, fines to under screen conveyor
- 60" Under Screen Conveyor, channel frame
- Belt and belt cleaners
- 30 HP motor, mount, drive, and guarding

Impact Crusher - HSI

- HSI feed opening 60" (1,524mm) x 38" (965mm)
- Apron setting range 2" – 6" (51mm x 152mm) upper
- 1" – 4" (25mm x 102mm) lower
- 370 – 515 RPM / 5,037 – 7,010 FPM rotor speed range
- MPR sculpted rotor design
- Fully lined chamber and apron with abrasion resistant steel liners
- Hydraulic adjustment for easy crusher setting
- Hydraulically activated rear access door

End Delivery Conveyor

- 54" lattice frame rear mounted
- Belt cleaner
- Screw take-up belt tension
- 20 HP motor, mount, drive, and guarding

Chassis

- Semi-trailer with triple rear axle
- Rear crib leg and king pin support
- Twelve 11.00 x 22.5 dual mounted tires
- Air brakes, travel lights, mudflaps
- Bypass chute at scalper discharge (bottom deck, middle deck as selected)
- Service platforms behind and beside crusher
- Walkway on sides and rear of incline scalping screen (removes with screen for transport)

Options

- 300 HP TEFC electric motor at 1,200 RPM
- 300 HP starter and 60' of cable
- Electric motor controls for basic plant (excluding crusher)
- NEMA-12 remote panel box with feeder VFD
- 24" x 24', 5 HP cross conveyor (for middle and bottom deck) * (24" x 11' 5 HP cross conveyor shown above)
- Hydraulic jacks (4) with 24" stroke for cribbing
- 8 HP gas (electric start) or 5 HP electric power pack for hydraulic jack system
- Consult factory for additional screen, crusher, conveyor, axle, jack, and power options

Physical/Operating Characteristics

Dimension	Standard	Metric
Operating Length	61' 10"	18.8m
Travel Length	50' 0"	15.2m
Operating Height	17' 9"	5.4m
Travel Height	13' 8"	4.2m
Ground Clearance	13"	0.3m
Total Weight (basic plant)	110,840 lb.	50,276 kg
Travel Weight (basic plant)	82,140 lb.	37,258 kg
End Delivery Conveyor	9,110 lb.	4,132 kg
Incline Scalp Screen & Mount	17,115 lb.	7,763 kg
60" Under Screen Conveyor	10,480 lb.	4,753 kg
Screen Walkways	1,840 lb.	835 kg

Dimension	Standard	Metric
Operating Width	14' 4"	4.4m
Operating Width w/ Discharge	24' 11"	7.6m
Travel Width	11' 10"	3.6m
Feed Height	17' 9"	5.4m
Discharge Height	10' 9"	3.3m
Under Screen Discharge Height	10' 5"	3.2m
Cross Discharge	7' 1"	2.1m
Screen Bypass Chute	1,030 lb.	470 kg
Cross Conveyor 20'	3,000 lb.	1,360 kg
Basic Motor Controls & Panel	800 lb.	363 kg
Electric Motor & Starter	5,045 lb.	2,288 kg