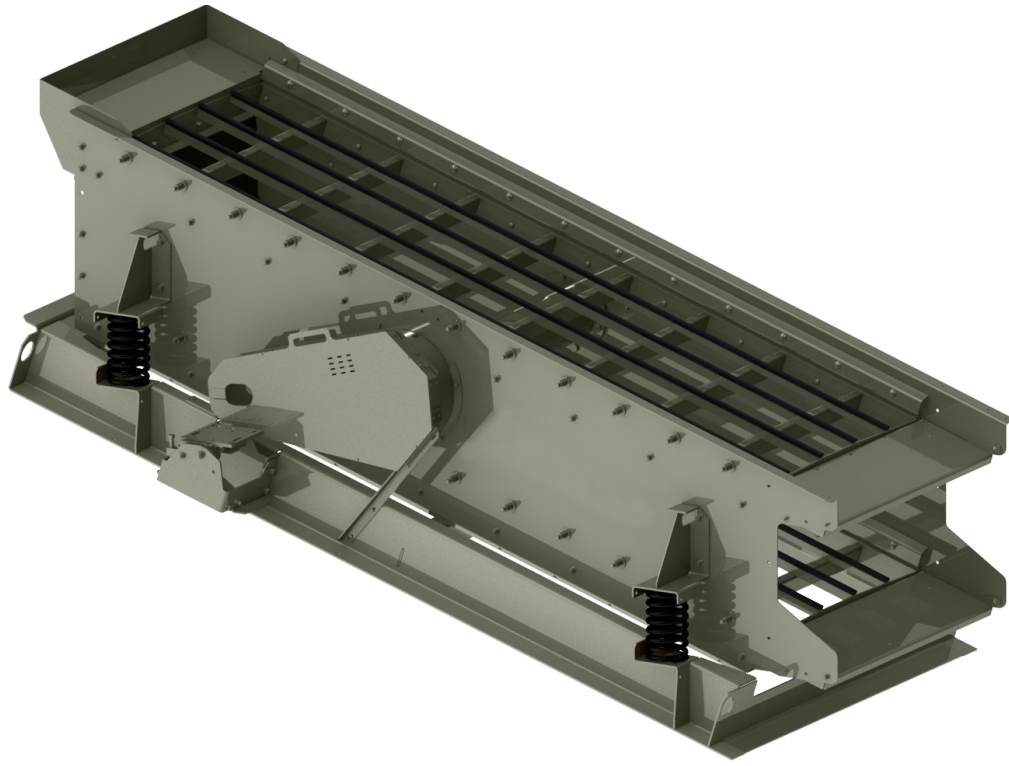


# VALU-KING®

## Incline Screen



### Screen Features

- 1/4" (no weld) sideplates
- 18-degree mount angle
- Compact vibrating unit with self-aligning high-capacity spherical roller bearings
- Vibrating unit drive shaft protected by cylindrical tube
- Grease lubrication of vibrating unit bearings is standard
- Crowned support frame
- Tubular deck design: screen decks are fabricated using rectangular tubing, yielding a rugged construction
- Exterior access to counterweights eases weight changes
- Screen support frames joined to the vibrating frame with high-strength vibration proof hardware
- Replaceable cross braces ease maintenance and prolong screen life
- Heavy-duty support base supplied
- Side tension media: side tension media accepts wire cloth, side tension urethane or rubber media
- Reinforcing plates at vibrator
- Bolt on 1/4" AR lined feedbox
- Backplate with rubber dust curtain
- Support pedestals and springs
- Steel coil springs
- FEA design with extensive stress analysis
- Operation and maintenance manuals

### Optional Equipment

- Standard wire cloth
- Spring guards – rubber wrap around
- V-belt drive and guards
- Electric motor
- Side Discharge (RH or LH)
- Open Feedbox
- Deck Selector Feedbox
- Deck Selector Feedbox with Screen Bypass

Feature	Specification
Stroke Length (Throw)*	Min. 1/4" to 7/16"
Operating Speed Range	780 – 1050 RPM
Slope Range	18°
Maximum Feed Size**	5"
Maximum Top Deck Opening	2 1/2" (wire cloth)
Minimum Screen Cloth Opening	16 mesh – 3/32"
Sideplate Thickness	1/4"
Feed Box Liner Thickness (AR400 Plate)	1/4"

## Support Frame Standards

Valu-King®			
Screen Width Feet (Meters)	4 (1.2)	5 (1.5)	6 (1.8)
Crown	Single	Single	Single
Wire Cloth Width* inches (cm)	47 (119)	59 (150)	71 (180)
Wire Cloth Pieces to Cover Width	1	1	1
Wire Cloth Hook Direction	Both Facing Up	Both Facing Up	Both Facing Up
Center Hold Down	None	None	None

\* Wire cloth width dimensions to outside of hooks

## Physical and Operating Characteristics

Model	Decks	Width ft / mm		Length ft / mm		Power Required HP / kW		Weight* lb / kg		Bearing Size mm
3061	1	3	910	6	1,830	5	3.7	878	398	61.9
4081	1	4	1,220	8	2,430	7.5	5.5	4,310	1,955	90
4082	2	4	1,220	8	2,430	7.5	5.5	4,570	2,073	90
4083	3	4	1,220	8	2,430	10	7.5	5,070	2,300	90
4101	1	4	1,220	10	3,050	10	7.5	4,700	2,132	90
4102	2	4	1,220	10	3,050	10	7.5	5,050	2,291	90
4103	3	4	1,220	10	3,050	15	11	6,230	2,826	90
4121	1	4	1,220	12	3,660	10	7.5	5,140	2,331	90
4122	2	4	1,220	12	3,660	10	7.5	5,610	2,545	90
4123	3	4	1,220	12	3,660	15	11	7,450	3,379	110
4141	1	4	1,220	14	4,270	10	7.5	5,600	2,540	90
4142	2	4	1,220	14	4,270	10	7.5	6,070	2,753	90
4143	3	4	1,220	14	4,270	15	11	8,180	3,710	110
5121	1	5	1,520	12	3,660	10	7.5	5,400	2,449	90
5122	2	5	1,520	12	3,660	15	11	5,950	2,699	90
5123	3	5	1,520	12	3,660	15	11	8,010	3,633	110
5141	1	5	1,520	14	4,270	15	11	5,910	2,681	90
5142	2	5	1,520	14	4,270	20	15	6,600	2,994	90
5143	3	5	1,520	14	4,270	20	15	8,890	4,032	110
5161	1	5	1,520	16	4,880	20	15	6,910	3,134	110
5162	2	5	1,520	16	4,880	20	15	7,690	3,488	110
5163	3	5	1,520	16	4,880	25	19	9,730	4,413	110
6161	1	6	1,830	16	4,880	25	19	7,660	3,475	110
6162	2	6	1,830	16	4,880	25	19	8,550	3,878	110
6163	3	6	1,830	16	4,880	30	22	10,650	4,831	110

\*Live weight includes live body, feed box, discharge lips and counter weights. Total weight includes live weight plus sub-frame, springs, pivoting motor base, drive and guard (electric motor not included).

\*\*Maximum TPH carrying capacity is defined as the total feed (TPH) to the screen minus the bottom deck thru's (TPH).