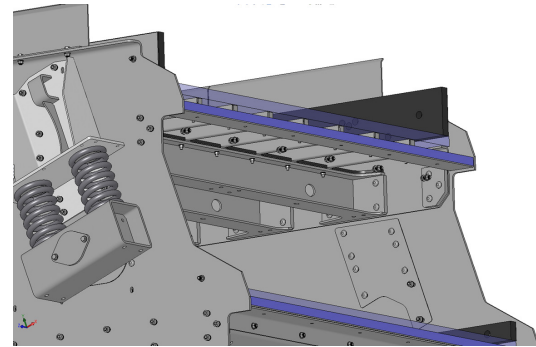
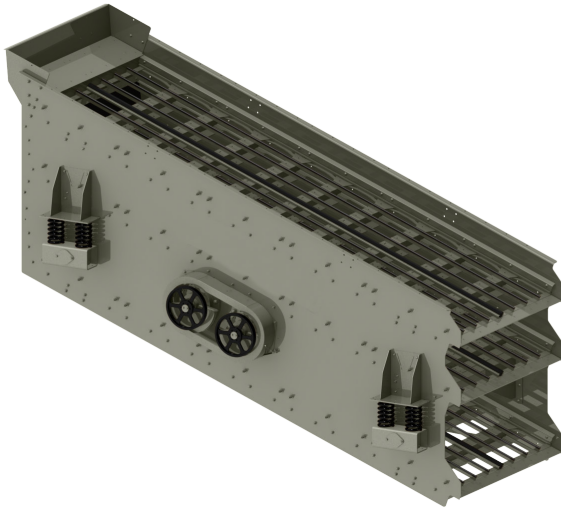


VIBRO-KING TL®

Incline Screen (Mine-duty)



Screen Features

- 1/2" (no weld) sideplates
- 20 degree mount angle
- Huck-bolted assembly
- Reinforcing plates at vibrator
- Bolt on AR lined feedbox, 6" AR lined discharge lips
- Backplate with rubber dust curtain
- Support pedestals and springs
- Lifting bars
- Steel coil springs
- Urethane friction checks with replaceable wear plates
- Applications from heavy duty scalping to finish screening (wet or dry)
- Standard wide series bearings deliver long service life: bearing sizes: TL32 (160mm bearings), TL40 (200mm bearings)
- Oil lubricated TL shaft assembly (single and dual shaft models)
 - Oversized shaft casing increases oil volume & extends service intervals
- "Never-Wear" sealing system:
 - Centrifugal force casts oil away
 - No contact seals to maintain
- Urethane labyrinth dust seal
- Best in-class serviceability
 - Splash plate to support shaft during assembly
 - Oil level sight gauge on non-drive side
 - Grease fittings located outside of guard
- External counterweights
- FEA design with extensive stress analysis
- Operation and maintenance manuals

Deck Designs

- Side tension deck:
 - Designed for wire cloth (up to 1/2" dia. wire)
 - Field-replaceable bolt-in cross members
 - 8' wide screens utilize double crown hook up / hook down design
- Modular urethane deck:
 - Designed for mounting urethane panels of almost any style.
 - Fabricated with heavy J-Beams welded into formed channel side
- Bolt down media stringers:
 - Huck bolted j-beam style cross members with 1" thick flanges for easy removal when worn or damaged

Feature	Specification
Adjustable stroke length (throw)*	Minimum 1/4" to 7/16"
Adjustable operating speed range	780 – 1050 RPM
Slope Range	14° - 20°
Maximum feed size* *	10" - 18"
Maximum top deck opening	3" (wire cloth), / 6" (punch plate)
Minimum screen cloth opening	6 mesh – 3/32"
Sideplate thickness	8' – 1/2"
Reinforcing plate thickness	1/4" (1/2" sideplate)
Feed box liner thickness (AR400 Plate)	3/8"
Discharge lip length	6"
Discharge lip liner (AR400) thickness	3/8"

Physical and Operating Characteristics

Model	Decks	Shafts	Width ft / mm		Length ft / mm		Power Required HP / kW		Weight* lb / kg		Bearing Size mm
8202-32-2	2	2	8	2,430	20	6,100	25x2	19x2	29,049	13,176	160
8203-32-2	3	2	8	2,430	20	6,100	30x2	22x2	33,852	15,355	160
8242-32-2	2	2	8	2,430	24	7,320	30x2	22x2	29,494	13,378	160
8243-32-2	3	2	8	2,430	24	7,320	40x2	30x2	36,861	16,720	160