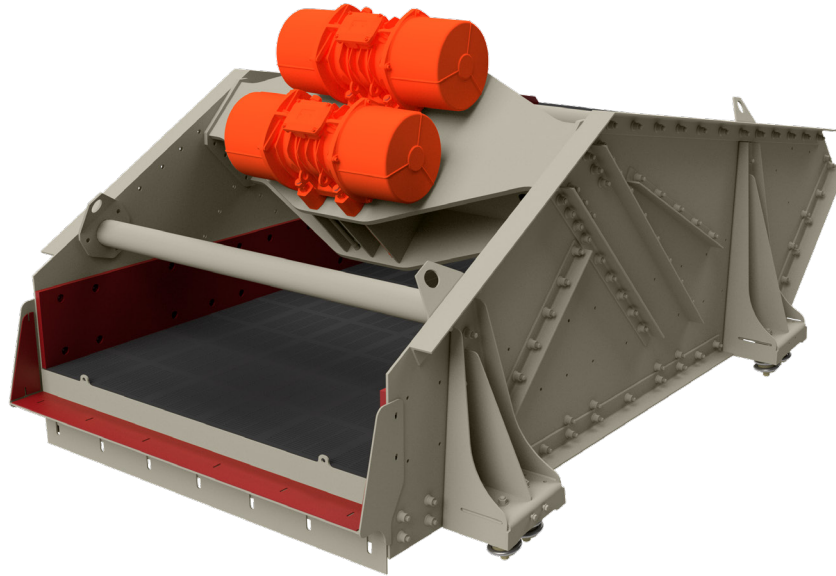


Dewatering Screen

Dewatering Equipment



Single Deck Linear Motion Dewatering Screens

- Predominately bolted screen frame assembly
- Integral stiffener tubes with lifting lugs
- Steel coil springs
- Adjustable incline (0° to 5°) (standard is 5° incline unless otherwise specified at the time of order)
- Sloped feed section
- Adjustable discharge dam
- Bolt-in UHMW pan side liners
- Highly abrasion resistant 1' square x 30 mm thick modular urethane screen media with slotted apertures (media opening size to be specified at the time of order)
- Stress relieved, fabricated motor bridge
- Engineered motor mounting studs
- Two (2), 3/60/230-460 vibrating motors (less starters and wiring)
- Adjustable stroke
- Horizontal main frame

Drive Assembly

Model	Horsepower	Fine Sand** Capacity	Coarse Sand** Capacity
DWS 38	2 at 3.9	20	65
DWS 410	2 at 4.7	43	144
DWS 513	2 at 8.4	65	216
DWS 613	2 at 9.4	78	259
DWS 716	2 at 11	106	353
DWS 816	2 at 12.7	121	403

*Capacities provided are estimates

**Fine Sand defined as -#50 x +#325

**Coarse Sand defined as -#4 x + #150

Physical/Operating Characteristics

Model	Weight		"A"		"B"		"C"		"D"		"E"	
	lb	kg	std.	metric	std.	metric	std.	metric	std.	metric	std.	metric
DWS 38	4,810	2,182	10' 3"	3.12m	5' 8½"	1.74m	8' 11¾"	2.74m	4' 10¾"	1.49m	3' 4¼"	1.02m
DWS 410	6,400	2,903	11' 8½"	3.57m	6' 1½"	1.86m	11' 3"	3.43m	5' 4"	1.62m	4'	1.22m
DWS 513	8,820	4,001	15' 8"	4.78m	7' 2¾"	2.2m	15' 5"	4.7m	7' 5¾"	2.28m	4' ½"	1.23m
DWS 613	9,310	4,223	15' 8"	4.78m	7' 2¾"	2.2m	15' 5"	4.7m	7' 5¾"	2.28m	4' ½"	1.23m
DWS 716	17,200	7,802	18' 6"	5.64m	9' 6¼"	2.9m	18' 4"	5.59m	9' 11½"	3.04m	4' 3¼"	1.3m
DWS 816	18,550	8,414	18' 6"	5.64m	9' 6¼"	2.9m	18' 4"	5.59m	9' 11½"	3.04m	4' 3¼"	1.3m

Continued

Model	"F"		"G"		"H"		"J"		"K"		"L"	
	std.	metric	std.	metric	std.	metric	std.	metric	std.	metric	std.	metric
DWS 38	7"	178mm	2' 4¾"	.73m	1' 7½"	.5m	3'	.91m	4' ¼"	1.23m	5' 2¼"	1.58m
DWS 410	7"	178mm	2' 5½"	.75m	1' 3½"	.39m	4'	1.22m	5' 3¾"	1.62m	6' 5¾"	1.98m
DWS 513	8¼"	210mm	2' 5¾"	.76m	2' 3¼"	.69m	5'	1.5m	6' 3¾"	1.92m	7' 5¾"	2.28m
DWS 613	8¼"	210mm	2' 5¾"	.76m	2' 3¼"	.69m	6'	1.83m	7' 3¾"	2.23m	8' 5¾"	2.58m
DWS 716	8"	203mm	3' 2¾"	.98m	2' ½"	.62m	7'	2.13m	8' 3½"	2.53m	9' 5½"	2.88m
DWS 816	8"	203mm	3' 2¾"	.98m	2' ½"	.62m	8'	2.4m	9' 3½"	2.83m	10' 5½"	3.19m

